

# 2011 Sheriff's Rodeo & Stampede

Saturday, September 24



# Cubmobile!

To participate, please register and return the form below by September 9th, along with your Cubmobile Car Name.

California Inland Empire Council  
PO Box 8910  
Redlands, CA 92375

### Supplies & Tools Needed:

- |   |                        |   |
|---|------------------------|---|
| 4 qty 8" wheels                             | Power drill            | 2 qty 5/16" washers                         |
| 1 qty 2'x4' section of 3/8" or 1/2" plywood | 3/8" or 5/16" wood bit | 2 qty 5/16" lock washers                    |
| 2 qty 8' long 2"x4"                         | wrenches or socket set | 2 5/16" nuts                                |
| 1 2"x2" surveyor's stake                    | Screwdriver            | 4 qty #6 2" wood screws                     |
| 4 3/8"x6" lag screws for wheels             | Tape measure           | 1 qty 6-7" 1/4" rope                        |
| 1 3/8"x4" hex bolt for front axle           | Wood glue              | 1 seat belt (from salvage yard)             |
| 1 3/8"x4" lag screw for brake               | Power or hand saw      | 1 qty 2"x6" piece of rubber (from old tire) |
| 2 5/16"x4" carriage bolt for rear axle      | 1 qty 3/8" lock nut    | 32 qty #6 1 1/2" wood screws                |
| 13 qty 3/8" washers                         |                        |   |

### Cubmobile Entry Form

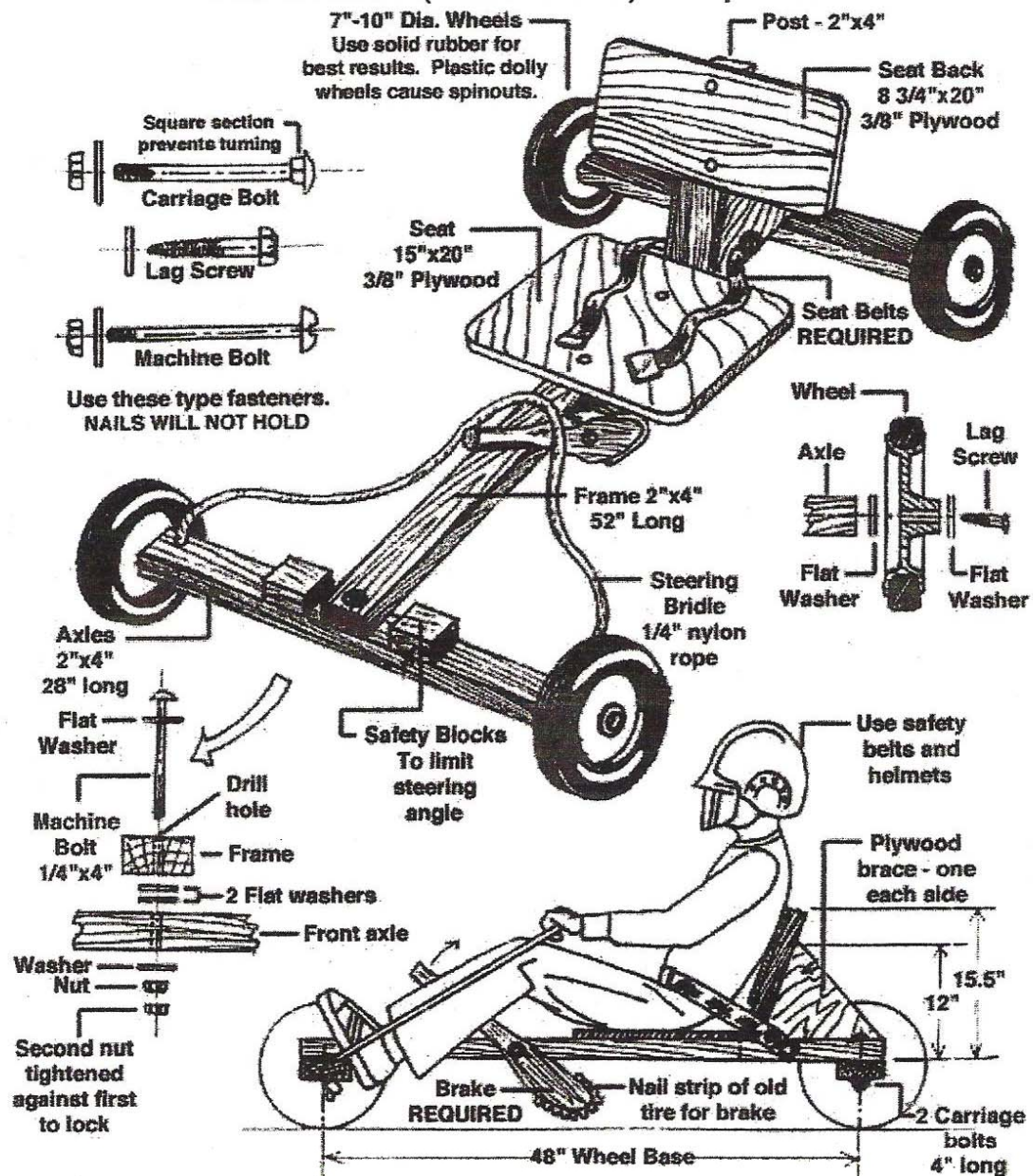
California Inland Empire Stampede 2011  
PO Box 8910  
Redlands, CA 92375

Contact Person: \_\_\_\_\_ Unit# \_\_\_\_\_ District: \_\_\_\_\_

Driver Name: \_\_\_\_\_ Car Name: \_\_\_\_\_



## Cub mobile (Push Cart) Blueprints:



- 1 Wheels must not exceed 10 inches in diameter.
- 2 All wheels may only be equipped with solid rubber tires.
- 3 Car frame is made from 2-by-4-inch construction lumber.
- 4 The overall length of the car is a maximum of 5 feet; the wheel base a maximum of 4 feet.
- 5 Use roundhead 1/4-inch bolts to hold frame. Screws are a second choice. Nails are not suitable, because they may work loose.
- 6 All cars must have a seat with braced backrest, so the Scout can comfortably steer with his feet.
- 7 Steering is done with the feet, which are placed on the front axle, and by the hands holding a rope fastened to the front axle.
- 8 If threaded axles are used, the nuts must be secured with cotter pins or wire
- 9 Cars must be equipped with an adequate safety belt securely fastened to the main frame of the car.
- 10 Cars must be equipped with a handbrake with its rubbing surface faced with a rubber material such as a strip of an old tire. This will stop the car when dragged on the ground.
- 11 During a race, the two 2-by-4-inch blocks fastened 1/4 to 1/2 inch from the centerboard will limit the turning radius. (Very important to test this before the race!)
- 12 No extra weights, etc. may be placed on the Cubmobile.
- 13 For the Scout's safety, they should wear long pants, a long sleeve shirt, and shoes that completely cover the feet, and a bike helmet.